



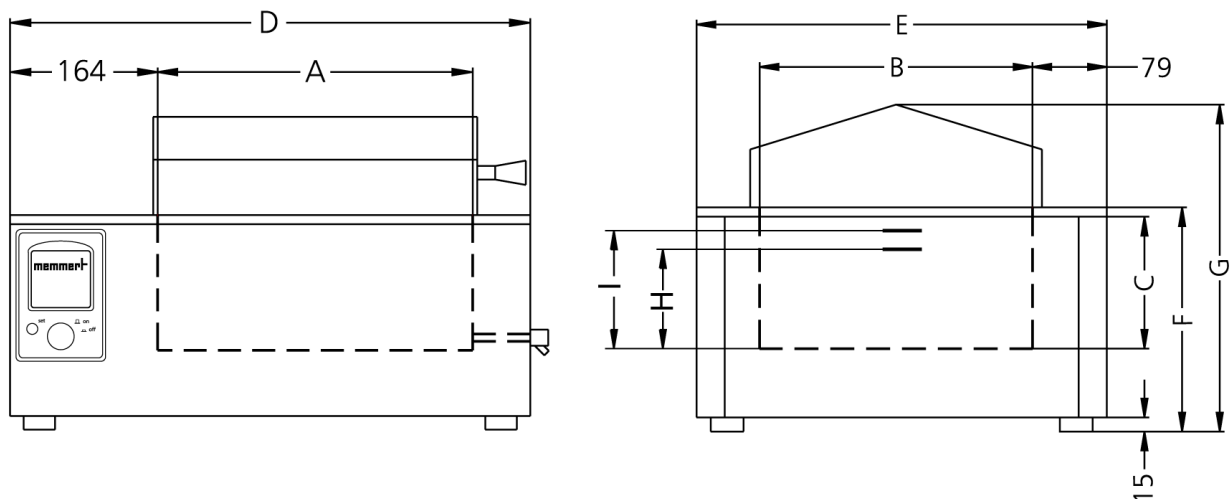
Waterbath

WPE 45

The combination of corrosion-resistant stainless steel, precise electronics and multiple temperature protection guarantees the highest level of safety in the laboratory.



On this page, you can find all the essential technical data on the Memmert water bath. Our customer relations team will be pleased to help if you want further information. If you should require a customised special solution, please contact our technical specialists at myAtmoSAFE@memmert.com.



Temperature

Temperature range in °C	min. 15°C above ambient up to +95°C
resolution of display and setting accuracy	+0,1°C below 99,9°C, 1°C above 100°C

Control of standard components

Vacuum	pump can be switched on and off
Vacuum	pump is switched off at programme end
Controller	digital display (LED) of all set parameters, such as temperature and alarm values (0,1°C resolution) as well as time values
Timer	digital timer from 1 min. up to 999 hours for: ON (continuous operation), DELAYED ON, HOLD or HOLD set-temperature dependent with guaranteed holding time
Calibration	on controller

Control technology

Controller	Electronic microprocessor temperature controller with auto-diagnostic system
-------------------	--

Safety

Temperature control	2 Pt100 sensors Class A in 4-wire-circuit, mutually monitoring and taking over the performance at the same temperature value
Temperature control	mechanical temperature limiter TB protection class 1 switching the heating off at approx. 30°C above max. temperature of the bath
Temperature control	independently working, electronic overtemperature controller TWW protection class 3.1 or overtemperature limiter TWB protection class 2, adjustable in set-up menu by customer
Temperature control	in case of overtemperature due to failure, the heating is switched off at approx. 10°C above the set temperature (fixed value)
Autodiagnostic system	fuzzy-supported PID microprocessor controller with integrated autodiagnostic system with fault indication
Alarm	visual and acoustic alarm at programme end and as input acknowledgement as well as in case of low liquid level, heating is switched off automatically

Heating concept

Heating Baths	corrosion-proof large-area heating on three sides
----------------------	---

Stainless steel interior

Dimensions W x H x D in mm	$w_{(A)} \times h_{(C)} \times d_{(B)}$: 590 x 350 x 220 mm
Interior	easy-to-clean interior, made of stainless steel, reinforced by deep drawn ribbing, material no. 1.4301 (ASTM 304), laser-welded
Volume	45 l
Liquid level min.	(H) 177 mm
Liquid level max.	(l) 200 mm

Textured stainless steel casing

Dimensions $w_{(D)} \times h_{(G)} \times d_{(E)}$: 818 x 516 x 296 mm

Electrical data

Voltage 230 V, 50/60 Hz

Electrical load approx. 2800 W (during heating)

Packing/shipping data/Setting Up

Installation The vent openings in the left and back side must remain unobstructed. Minimum wall spacing on all sides is 80 mm. The minimum spacing from the top of the bath to the next ceiling is 750 mm.

Transport information The appliances must be transported upright

Customs tariff number 8419 8998

Country of origin Federal Republic of Germany

WEEE-Reg.-No. DE 66812464

Dimensions approx incl. carton B x H x T: 910 x 610 x 460 mm

Net weight approx. 26 kg

Gross weight carton approx. 33 kg

Standard units are safety-approved and bear the test marks

