



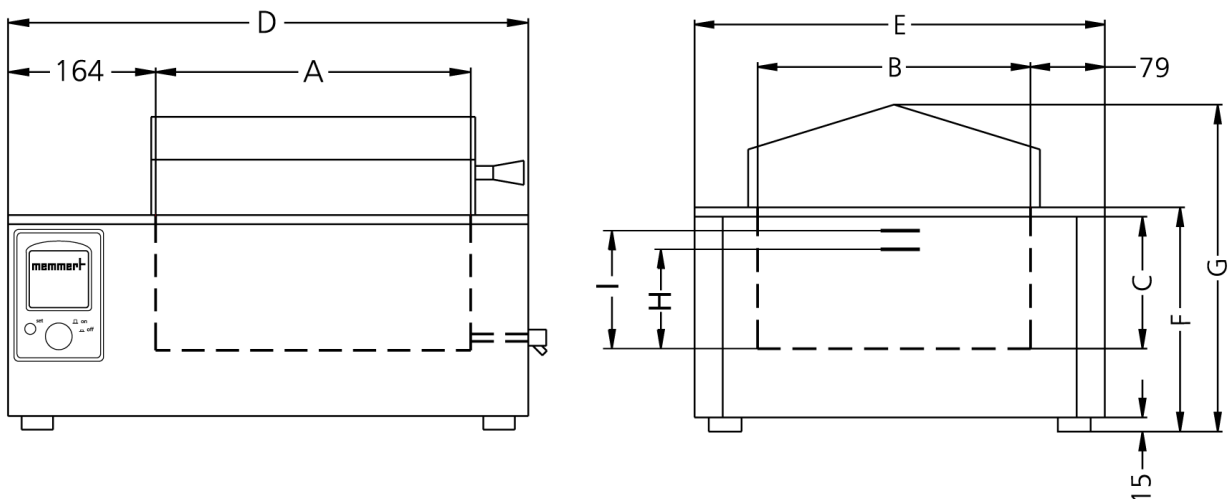
Waterbath

WNB 10

The combination of corrosion-resistant stainless steel, precise electronics and multiple temperature protection guarantees the highest level of safety in the laboratory.



On this page, you can find all the essential technical data on the Memmert water bath. Our customer relations team will be pleased to help if you want further information. If you should require a customised special solution, please contact our technical specialists at myAtmoSAFE@memmert.com.



Temperature

Temperature range in °C min. 5°C above ambient up to +95°C with additional boiling mode (+100°C)

Control of standard components

Temperature 1 Pt100 sensor class A in 4-wire-circuit

Timer integrated digital timer from 1 min. to 99,59 hours for:ON continuous operationWAIT (delayed on for continuous andlimited timed operation)HOLD

Safety

Temperature control mechanical temperature limiter TB protectionclass 1 switching the heating off at approx. 30°Cabove max. temperature of the bath

Temperature control in case of overtemperature due to failure,the heating is switched off at approx. 10°Cabove the set temperature (fixed value)

Autodiagnostic system microprocessor PID-temperature controllerwith integrated autodiagnostic system withfault indicator

Heating concept

Heating Baths corrosion-proof large-area heating onthree sides

Standard equipment

Controller digital display (LED) of set and actualtemperature (0,1°C resolution) and of (remaining)programme time

Stainless steel interior

Dimensions W x H x D in mm $w_{(A)} \times h_{(C)} \times d_{(B)}$: 350 x 210 x 140 mm

Interior easy-to-clean interior, made of stainlesssteel, reinforced by deep drawn ribbing,material no. 1.4301 (ASTM 304), laser-welded

Volume 10 l

Liquid level min. (H) 97 mm

Liquid level max. (I) 120 mm

Textured stainless steel casing

Dimensions $w_{(D)} \times h_{(G)} \times d_{(E)}$: 578 x 356 x 238 mm

Electrical data

Voltage 230 V, 50/60 Hz

Electrical load approx. 1200 W (during heating)

Packing/shipping data/Setting Up

Installation The vent openings in the left and back side must remain unobstructed. Minimum wall spacing on all sides is 80 mm. The minimum spacing from the top of the bath to the next ceiling is 750 mm.

Transport information The appliances must be transported upright

Customs tariff number 8419 8998

Country of origin Federal Republic of Germany

WEEE-Reg.-No. DE 66812464

Dimensions approx incl. carton B x H x T: 670 x 450 x 380 mm

Net weight approx. 13 kg

Gross weight carton approx. 19 kg

Standard units are safety-approved and bear the test marks

