



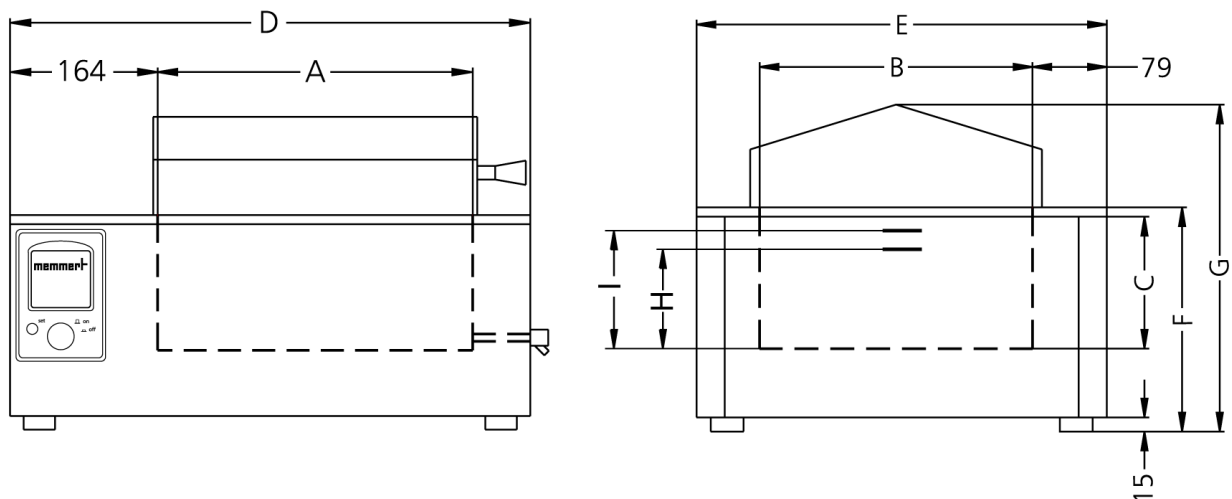
## Waterbath

### WNE 45

The combination of corrosion-resistant stainless steel, precise electronics and multiple temperature protection guarantees the highest level of safety in the laboratory.



On this page, you can find all the essential technical data on the Memmert water bath. Our customer relations team will be pleased to help if you want further information. If you should require a customised special solution, please contact our technical specialists at [myAtmoSAFE@memmert.com](mailto:myAtmoSAFE@memmert.com).



## Temperature

<b>Temperature range in °C</b>	min. 5°C above ambient up to +95°C with additional boiling mode (+100°C)
<b>resolution of display and setting accuracy</b>	+0,1°C below 99,9°C, 1°C above 100°C

## Control of standard components

<b>Controller</b>	digital display (LED) of all set parameters, such as temperature and alarm values (0,1°C resolution) as well as time values
<b>Timer</b>	digital timer from 1 min. up to 999 hours for: ON (continuous operation), DELAYED ON, HOLD or HOLD set-temperature dependent with guaranteed holding time
<b>Calibration</b>	on controller

## Safety

<b>Temperature control</b>	2 Pt100 sensors Class A in 4-wire-circuit, mutually monitoring and taking over the performance at the same temperature value
<b>Temperature control</b>	mechanical temperature limiter TB protection class 1 switching the heating off at approx. 30°C above max. temperature of the bath
<b>Temperature control</b>	independently working, electronic overtemperature controller TWW protection class 3.1 or overtemperature limiter TWB protection class 2, adjustable in set-up menu by customer
<b>Temperature control</b>	in case of overtemperature due to failure, the heating is switched off at approx. 10°C above the set temperature (fixed value)
<b>Autodiagnostic system</b>	fuzzy-supported PID microprocessor controller with integrated autodiagnostic system with fault indication
<b>Alarm</b>	visual and acoustic alarm at programme end and as input acknowledgement as well as in case of low liquid level, heating is switched off automatically

## Heating concept

<b>Heating Baths</b>	corrosion-proof large-area heating on three sides
----------------------	---

## Stainless steel interior

<b>Dimensions W x H x D in mm</b>	$w_{(A)} \times h_{(C)} \times d_{(B)}$ : 590 x 350 x 220 mm
<b>Interior</b>	easy-to-clean interior, made of stainless steel, reinforced by deep drawn ribbing, material no. 1.4301 (ASTM 304), laser-welded
<b>Volume</b>	45 l
<b>Liquid level min.</b>	(H) 177 mm
<b>Liquid level max.</b>	(I) 200 mm

### Textured stainless steel casing

**Dimensions**  $w_{(D)} \times h_{(G)} \times d_{(E)}$ : 818 x 516 x 296 mm

### Electrical data

**Voltage** 230 V, 50/60 Hz

**Electrical load** approx. 2800 W (during heating)

### Packing/shipping data/Setting Up

**Installation** The vent openings in the left and back side must remain unobstructed. Minimum wall spacing on all sides is 80 mm. The minimum spacing from the top of the bath to the next ceiling is 750 mm.

**Transport information** The appliances must be transported upright

**Customs tariff number** 8419 8998

**Country of origin** Federal Republic of Germany

**WEEE-Reg.-No.** DE 66812464

**Dimensions approx incl. carton** B x H x T: 910 x 610 x 460 mm

**Net weight** approx. 26 kg

**Gross weight carton** approx. 33 kg

**Standard units are safety-approved and bear the test marks**

