

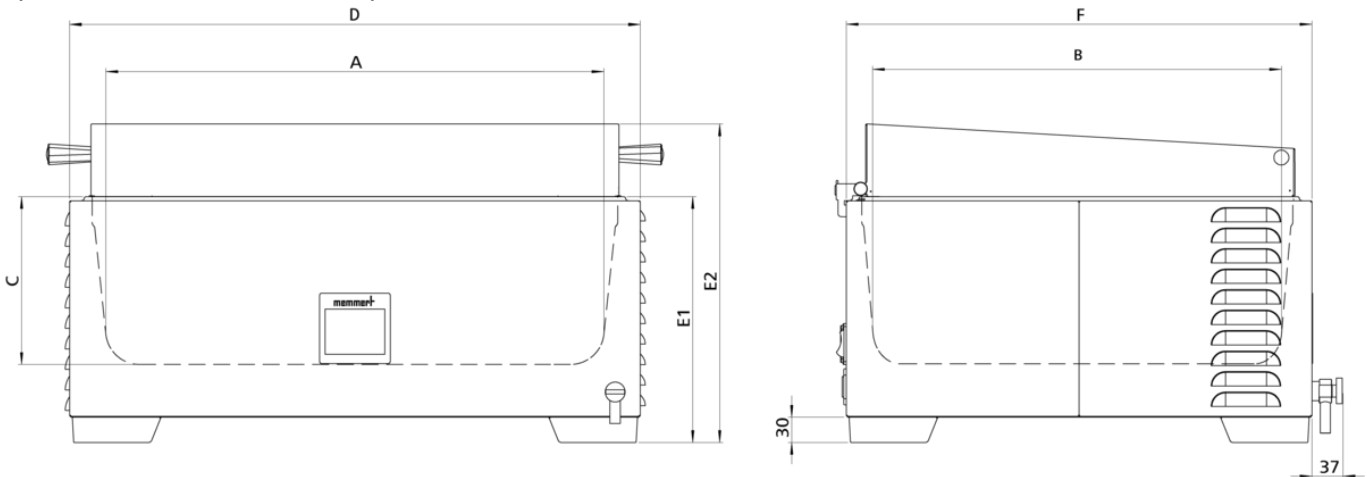
## Waterbath

### WTB50

Ideal for the temperature control of ointments, emulsions, samples, plates and nutrient solutions in the laboratory, as well as warm storage and calibration in the industrial segment



On this page, you can find all the essential technical data on the Memmert water bath. Our customer relations team will be pleased to help if you want further information. If you should require a customised special solution, please contact our technical specialists at [sales@memmert.com](mailto:sales@memmert.com).



## Temperature

**Working temperature range** at least 5 above ambient to +100 (depending on ambient pressure)

**Setting temperature range** +10 to +100 °C

**Setting accuracy temperature** 0.1 °C

## Control of standard components

**Controller** intuitive 3.5" colour graphic display with touch screen

## Safety

**Temperature control** Independent temperature limiter to switch off the heating in case of failure

## Heating concept

**Heating** corrosion-proof large-area heating on the outside of the interior

## Stainless steel interior

**Interior** Deep-drawn stainless steel tray (stainless steel W.St. 1-4301), without corners and edges for easy cleaning incl. central drain (no disturbing installations)

**Dimensions W x H x D in mm**  $w_{(A)} \times h_{(C)} \times d_{(B)}$ : 592 x 200 x 472 mm

**Volume** 51 l

## Textured stainless steel casing

**Dimensions**  $w_{(D)} \times h_{(E2)} \times d_{(F)}$ : 679 x 378 x 554 mm

## Electrical data

**Voltage** 230 V, 50/60 Hz  
**Electrical load** approx. 2800 W

**Voltage** 115 V, 50/60 Hz  
**Electrical load** approx. 2800 W

## Ambient conditions

**Installation** The vent openings in the left and back side must remain unobstructed. Minimum wall spacing on all sides is 80 mm. The minimum spacing from the top of the bath to the next ceiling is 750 mm.

**Ambient temperature** +5 °C to +40 °C

**Humidity rh** max. 80 %, non-condensing

**Overvoltage category** II

**Pollution degree** 2

### Packing/shipping data

<b>Transport information</b>	The appliances must be transported upright
<b>Customs tariff number</b>	8419 8998
<b>Country of origin</b>	Federal Republic of Germany
<b>WEEE-Reg.-No.</b>	DE 66812464
<b>Dimensions approx incl. carton</b>	w x h x d: 910 x 610 x 460 mm
<b>Net weight</b>	approx. 16 kg
<b>Gross weight carton</b>	approx. 23 kg

**Standard units are safety-approved and bear the test marks**

